

# V12 12" passive array



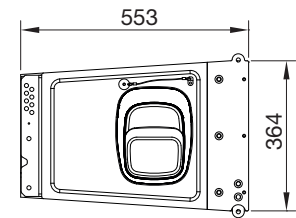
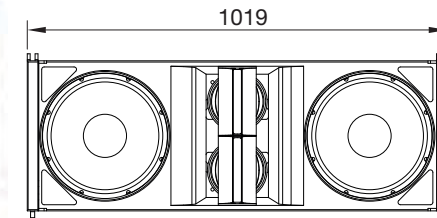
The Studomaster V12 line array enclosure is a new designed three way system. A large operating frequency range of 50Hz - 20kHz is achieved with a the HF being provided by two 74mm compression drivers, the MF is provided by two high sensitivity 10" drivers, and the LF by one 12" drivers. All combined together creates a system with dynamic headroom and reduced weight/size, yet still produces high SPL / volume levels.

The V12 cabinet is trapezoidal in shape, which enhances the sound projection and reduces dead spots. When suspending using the aluminium suspension system, the angles of each enclosure can be adjusted between 0 and 8 degrees.

To finish the cabinet, a durable paint finish is used, and a tough grille is fitted to protect from the hardest conditions.

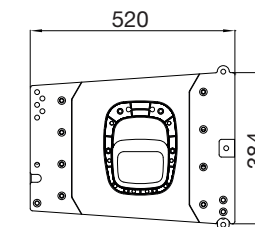
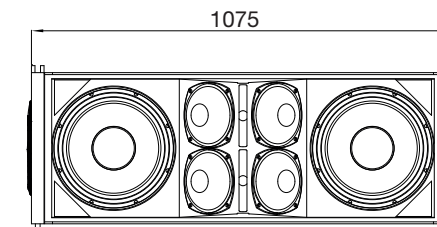
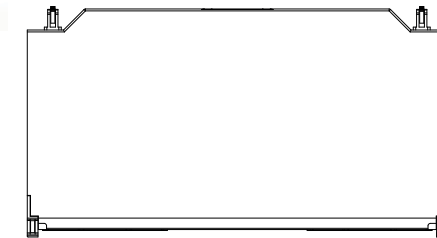
In addition to the V12 line array range, is a brand new all weather, water resistant enclosure. Featuring premium sealed componenets, and a brand new hoisting system. With the all weather capabilities, the V12W is suitable for a greater range of applications.

# V12



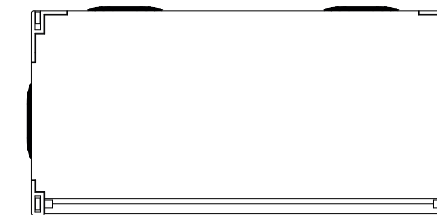
## V12 THREE WAY PASSIVE LINE ARRAY ENCLOSURE

- 2 x 12" LF / 1 x 10" MF / 2 x 74mm compression drivers LF
- High efficiency and SPL from three way system
- Superior quality components used throughout
- Adjustable aluminium suspension system available
- Standard (V12) and WATERPROOF (V12W) versions available



## V12W THREE WAY PASSIVE LINE ARRAY ENCLOSURE

- 2 x 12" LF / 4 x 6.5" MF / 2 x 74mm compression drivers LF
- High efficiency and SPL from three way system
- Superior quality components used throughout
- Adjustable aluminium suspension system available
- Standard (V12) and WATERPROOF (V12W) versions available



	V12	V12W
<b>MAX SPL PEAK</b>	<b>LF 135dB / MF 136dB / HF 141dB</b>	<b>LF 135dB / MF 135dB / HF 139dB</b>
<b>PGM RMS</b>	<b>LF 3200W / MF 1200W / HF 640W</b>	<b>LF 2x2800W / MF 1600W / HF 720W</b>
<b>WEIGHT</b>	LF 1600W / MF 600W / HF 320W	LF 2x1400W / MF 800W / HF 360W
<b>Cabinet type</b>	LF 800W / MF 300W / HF 160W	LF 2x700W / MF 400W / HF 180W
<b>Frequency response</b>	62kg	62kg
<b>Sensitivity 1w@1m</b>	3-way passive line array	3-way passive line array
<b>Coverage (h x v)</b>	50Hz - 20kHz (-10dB) / 62Hz - 18kHz (+/-3dB)	50Hz - 20kHz (-10dB) / 62Hz - 18kHz (+/-3dB)
<b>LF Driver</b>	LF 100dB / MF 105dB / HF 113dB	LF 99dB / MF 103dB / HF 110dB
<b>MF Driver</b>	90 x 7.5 degree adjustable	90 x 8 degree adjustable
<b>HF Driver</b>	2 x 12" / 75mm VC	2 x 12" / 100mm VC
<b>Impedance</b>	1 x 10" / 65mm VC	4 x 6.5" / 50mm VC
<b>Crossover frequency</b>	2 x 3" compression driver	2 x 3" compression driver
<b>Vertical spread angle</b>	LF 8 ohm / MF 8 ohm / HF 16 ohm	LF 8 ohm / MF 16 ohm / HF 16 ohm
<b>Dimensions (wxhxd)</b>	250Hz / 1.3kHz	250Hz / 2kHz
	0-7 degree (1.8 degree step)	0-8 degree (2 degree step)
	1019 x 364 x 553mm	1075 x 384 x 520mm

## SUGGESTED SETUP CONFIGURATION



### setup configuration

8 x V12 three way passive cabinets



4 x V218S 2x18" passive sub cabinets



1 x AC48II 4 in 8 out speaker processor

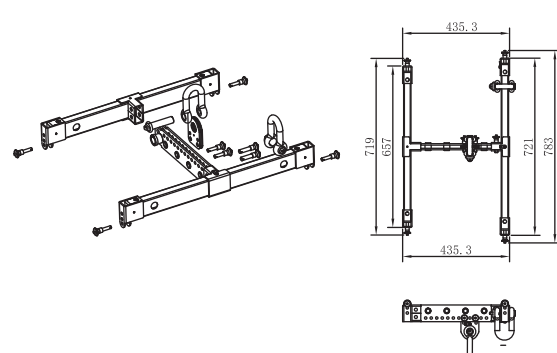


1 x QX4-2600 2x1300w power amplifier for V12 : HF  
 1 x QX4-4000 2x 2000w power amplifier for V12 : MF  
 1 x QX4-6000 2x3000w power amplifier for V12 : LF  
 1 x QX4-8000 2x4000w power amplifier for V218S sub

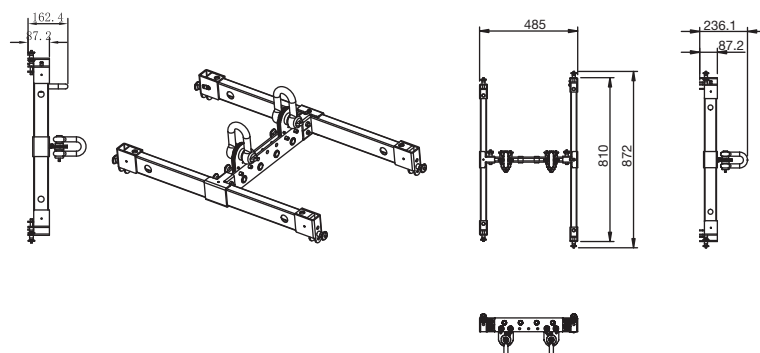
2 x suspension cradle

## LINE ARRAY (Suspension accessories)

### V8 Suspension racks



### V10 Suspension racks



## LINE ARRAY (Optional products)



V5 line array cabinet stand  
 Material: AL(6082)  
 Height: 6m  
 Length, width: 1.5X0.5X0.5m  
 Load: 300KG

V12 line array cabinet stand 1  
 Material: steel structure  
 Height: 10m  
 Length, width: 1.8X1.8m  
 Bottom area: 5X5m  
 Surface: silver paint  
 Load: 800KG  
 Test data 3200KG, four times of load security coefficient

V12 Line Array cabinet Stand 2  
 Material: steel structure  
 Height: 8m  
 Length, width: 1.5X1.5m  
 Bottom area: 4X4m  
 Surface: silver paint  
 Load: 600KG  
 Test data 2400KG, four times of load security coefficient

