

# PLATFORM *array*

portable high power compact array system



The Platform system comprises 2 x 18" active sub bass units, each topped with 2 x 10" mid/top cabinets, to create a compact portable and powerful active 4800W compact array system.

Perfect for rental, install and live performance when power, size and portability are critical.



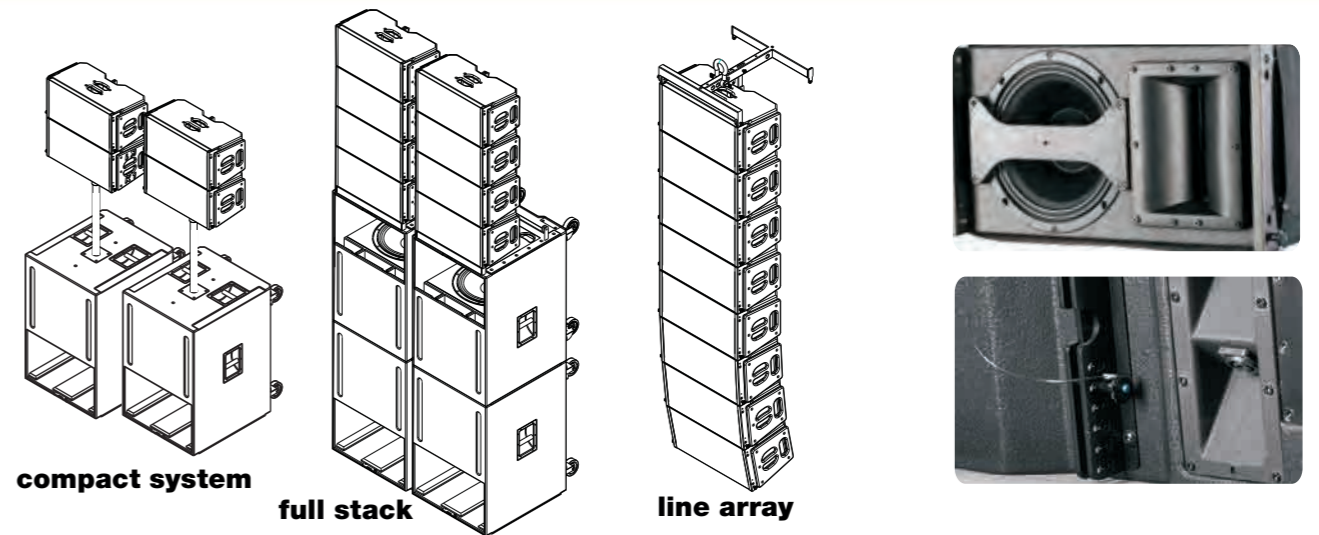
comprehensive rear panel with clever storage for stands and accessories



Platform10 mid/tops neatly store into 18" sub port for transport/storage



Four high quality road wheels with locks for easy moving



**2400W 4ch class D amplifiers**

**2 in 4 out DSP audio offline PC preset setup**

**10" mid/top with 3" voice coils**

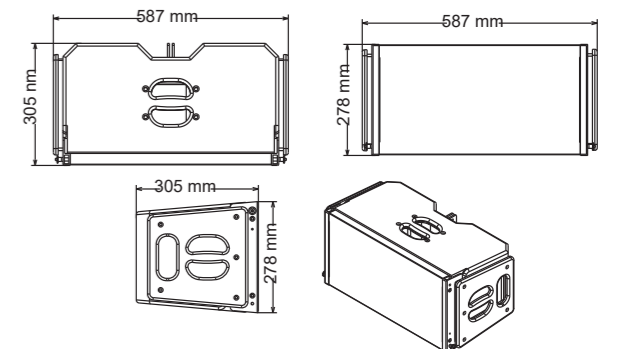
**18" neodymium sub woofer**

**adjustable array angles**

**multi purpose setup - compact - stack - fly**

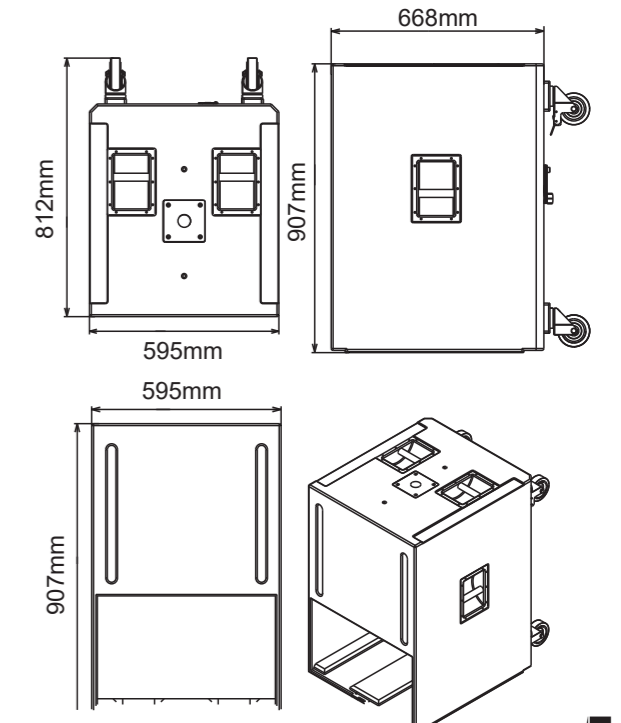
## SPECIFICATIONS PLATFORM 10

Type.....	Long range horn output type
Component.....	10"+3"+ Horn
Nominal Impedance.....	Hi 16Ω /MID 16Ω
RMS Power Handling.....	350W
Peak Power Handling.....	700W
Frequency Response.....	55Hz- 19KHz
Sensitivity(1W/1M).....	102dB
Max. SPL.....	128dB
Dispersions.....	120° Hx 10° V
Horn throat size.....	1.5"(28mm)
Voice coil size.....	3"(75mm)
Crossover.....	1.5KHz
NW/GW(Kg).....	21/23
Dimension HWD(mm).....	578x 305x 278
Shipping HWD(mm).....	643x 370x 348(0.08CBM)



## SPECIFICATIONS PLATFORM 18SA

Type.....	Active subwoofer
Component.....	18"× 1"Neodymium unit
Nominal Impedance.....	8Ω
RMS Power Handling.....	700W
Peak Power Handling.....	1400W
Frequency Response.....	35Hz- 130KHz
Sensitivity(1W/1M).....	104dB
Max. SPL.....	133dB
Output power.....	600W× 4 Digital power amplifier
Power.....	Light and high- end switching power supply
Processor.....	2 in 4 out DSP module
Crossover.....	N/A
Dimension HWD(mm).....	907x 595x 812
Shipping HWD(mm).....	972x 660x 850(0.622CBM)
NW/GW(Kg).....	130



Includes 1 x PLATFORM 18SA + 2 x PLATFORM 10